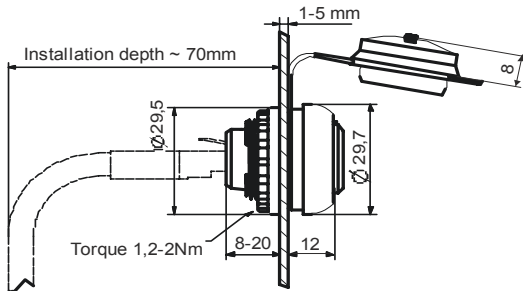


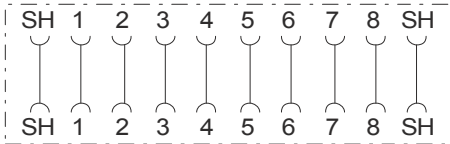
Lutze RJ45 Pass Through Ethernet Connector

**RJ45 - panel connector for front installation 22.5mm
female / female 1:1
Category 5e**

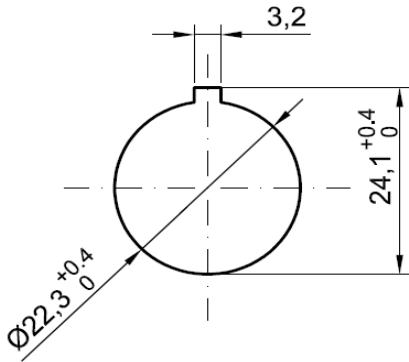
Dimensions



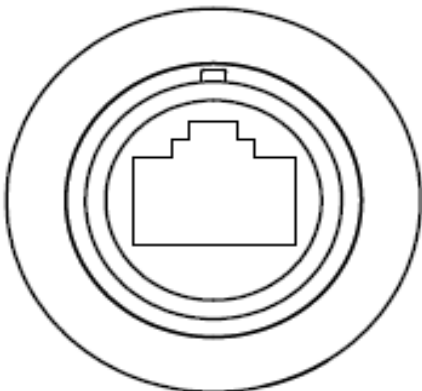
PIN Assignments



Field Installation



Front view



Description	Part number	Type
Cat.5e	492075	RJ45 F/F 8/8 Cat.5e
Technical data		
Rated voltage	492075	AC 24V
Voltage range		AC 150V
Max. rated current per contact		1,5A
Number of terminations		8
Transmission speed		100 MHz
Category		5e
Contact type		1 : 1
Shielding		Shield termination
General data		
Housing style		RJ45
Pollution degree		3
Insulation resistance		> 500MΩ
Contact resistance		< 30mΩ
Flammability according to UL94		V0
IP rating		IP 65 with cap closed, IP 20 with cap open
Housing material		PA-GF25; ABS; PBT Gf20
Cover		TPU
Contact material		CuSn, gold-plated
Field installation		Front panel cut off D=22,5mm
Installation depth		ca. 70mm
Cable structure		8 (4-pairs)
Operation temperature range		-25°C - +70°C // -13°F - +158°F
Storage temperature range		-25°C - +85°C // -13°F - +185°F
Dimension (DxD)		29,5 x 29mm
Weight (kg/pcs)		0.035
Approvals		UL Listed, NEMA/UL type 12