



Identification	Type	CPSB3-960-24
	Part-No.	722811

Input

Nominal voltage	3× AC 400–500 V
Operation voltage range	3× AC 340–550 V
Line frequency	47 Hz–63 Hz
Rated current	$U_i = AC 400 V: 2.8 A / U_i = AC 500 V: 2.2 A$
Inrush current	<AC 10 A
External fuse	Mini-circuit breaker: 3× B 16 A, C 10 A
Power Factor Correction P.F.C.	>0.6

Load Side

Rated voltage output	DC 24 V
Rated current output	40 A
Max. output current	>56 A, 5 s, @ 24 V
Short-circuit current	>90 A, 5 s
Low power loss	<61 W
Voltage trim range	24/28 V
Load regulation	<2 %
Ripple & Noise	<100 mV
Hold up time	>10 ms (AC 400 V); >15 ms (AC 500 V)
Status indication DC ON LED green	≥21.6 V

18.05.2010 – Subject to technical modification

Part-No. 722811

USA: LUTZE INC.

13330 South Ridge Drive • Charlotte, NC 28273, USA
 Tel. +1 (704) 504-0222 • Fax +1 (704) 504-0223
 www.lutze.com • info@lutze.com

United Kingdom: LÜTZE Ltd.

Unit 3, Sandy Hill Park
 Sandy Way, Amington • GB-Tamworth, Staffs B77 4DU
 Tel. +44 (0)1827 31333-0 • Fax +44 (0)1827 31333-2
 www.lutze.com • sales.gb@lutze.co.uk



Systematic Technology

Technical data sheet • Power supply

Status indication DC LOW LED red	≤21.6 V
Parallel mode	yes, with external diodes
Efficiency	>94 %
Rated over load protection	> 90°C, auto-reset
Over voltage protection	<33 V
Short circuit characteristics	Hiccup mode, 5 s ON / 10 s OFF

General

Insulation voltage input/output	3.0 kV _{eff}
Insulation voltage input / ground	AC 2.0 kV _{eff}
Insulation voltage output / ground	AC 1.0 kV _{eff}
Operation temperature range	-20 °C – 60 °C (derating)
Derating	>50°C: -15 W / °C, UL 508: >45°C: -15 W / °C
Storage temperature range	-25 °C – 85 °C
M.T.B.F.	>500000 h to SN29500 / >150000 h to MIL standard HDBK 217F
Dimensions (w × h × d)	81.0×127.0×146.0 mm
Cooling	Air convection, Forced cooling >50°C
Installation position	vertical
Housing material	Aluminium
Protection class	IP 20 (IEC529, EN60529)
Field installation	rail TS 35 (EN 50022)
IP rating	I (SELV, PELV)
Overvoltage category	II
Pollution degree	2
Weight (kg/piece)	1.200
Termination	Input: screw terminal: 0.2-4.0 mm ² Output: screw terminal: 0.2-6.0 mm ²
Approvals	UL, cUL: UL 508, IEC 950, EN 60950 CE: EN 61000-4-2/3/4/5/6/11, EN 61000-6-2, EN 601000-6-4, EN 50178, EN 61558, EN 50081-1, EN 50082-2, EN 55022 Class B
PU	1

Monitoring

DC ON Control (Rdy)	Normally open
Switching voltage	AC 300 V / DC 150 V
Switching current	AC/DC 1 A
Switching capacity	300 VA / 30 W
Insulation voltage	AC 500 V

18.05.2010 – Subject to technical modification

Part-No. 722811

USA: LUTZE INC.

13330 South Ridge Drive • Charlotte, NC 28273, USA

Tel. +1 (704) 504-0222 • Fax +1 (704) 504-0223

www.lutze.com • info@lutze.com

United Kingdom: LÜTZE Ltd.

Unit 3, Sandy Hill Park

Sandy Way, Amington • GB-Tamworth, Staffs B77 4DU

Tel. +44 (0)1827 31333-0 • Fax +44 (0)1827 31333-2

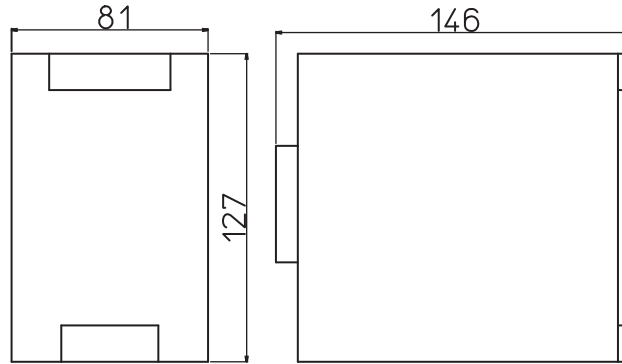
www.lutze.com • sales.gb@lutze.co.uk



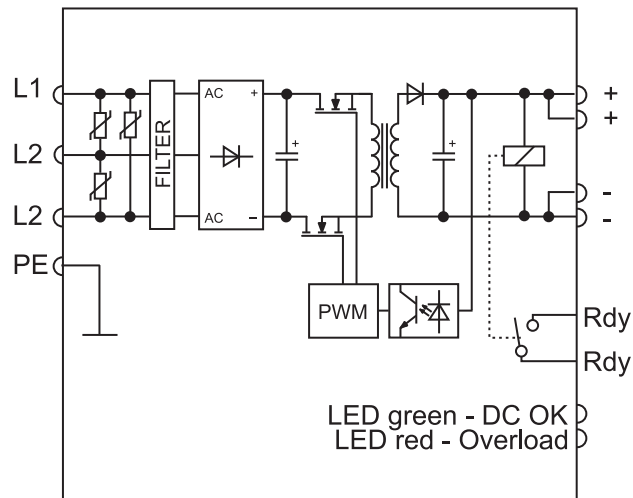
Systematic Technology

Technical data sheet • Power supply

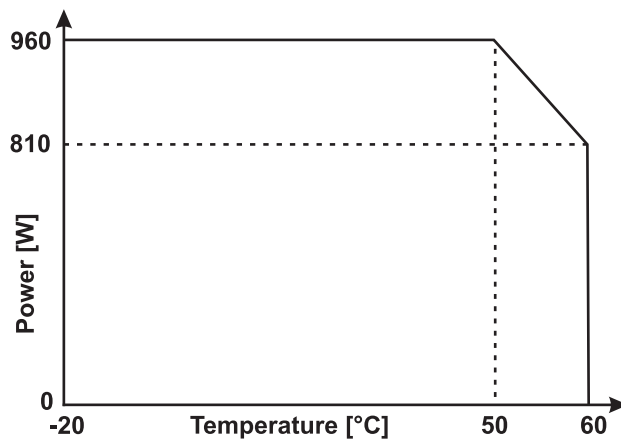
Dimensions



PIN assignment



Derating



18.05.2010 – Subject to technical modification

Part-No. 722811

USA: LUTZE INC.

13330 South Ridge Drive • Charlotte, NC 28273, USA

Tel. +1 (704) 504-0222 • Fax +1 (704) 504-0223

www.lutze.com • info@lutze.com

United Kingdom: LÜTZE Ltd.

Unit 3, Sandy Hill Park

Sandy Way, Amington • GB-Tamworth, Staffs B77 4DU

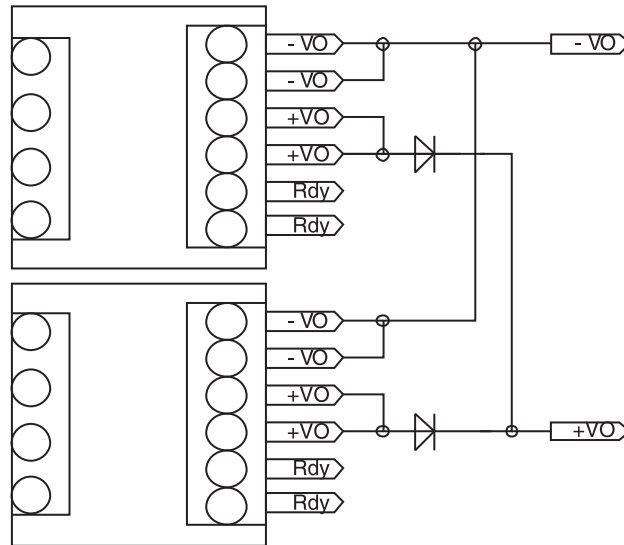
Tel. +44 (0)1827 31333-0 • Fax +44 (0)1827 31333-2

www.lutze.com • sales.gb@lutze.co.uk

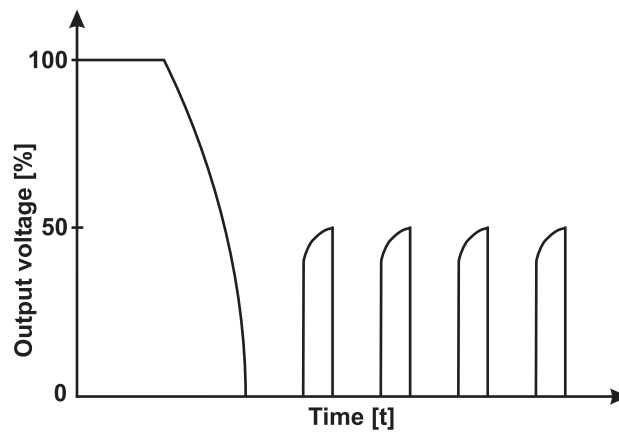


Systematic Technology

Parallel mode



Short circuit characteristics



18.05.2010 – Subject to technical modification

Part-No. 722811

USA: LUTZE INC.

13330 South Ridge Drive • Charlotte, NC 28273, USA
Tel. +1 (704) 504-0222 • Fax +1 (704) 504-0223
www.lutze.com • info@lutze.com

United Kingdom: LÜTZE Ltd.

Unit 3, Sandy Hill Park
Sandy Way, Amington • GB-Tamworth, Staffs B77 4DU
Tel. +44 (0)1827 31333-0 • Fax +44 (0)1827 31333-2
www.lutze.com • sales.gb@lutze.co.uk